

## ALZO PORTA-FLASH SOFTBOX ASSEMBLY



You will need a pliers and 4' x 4' clear table space to assemble the ALZO PORTA-FLASH SOFTBOX.

The softbox consists of 7 parts.

1. U-Clamp, Washer & Wingscrew kit (SKU 1780)
2. Speedring
3. Flash Mount Bracket (2 pieces)
4. Outer Diffuser
5. Inner Diffuser
6. (4) Rods
7. Softbox



Save the wingscrew and bolt as they allow the softbox to attach to standard moonlights like the SV 110i

Remove the wingscrew and bolt from the speedring tines. Using pliers to compress the tines on the speedring, place the U-clamp to fit over the tines as shown.



This U-clamp should be left on the speedring and only removed if the softbox is to be used on a monolight.



Open the softbox and lay it on the table as shown.left.

Place the speedring in the center hole with the u-clamp facing down. Dress the soft black fabric to fit under the cast metal ring.



# ALZO™ digital



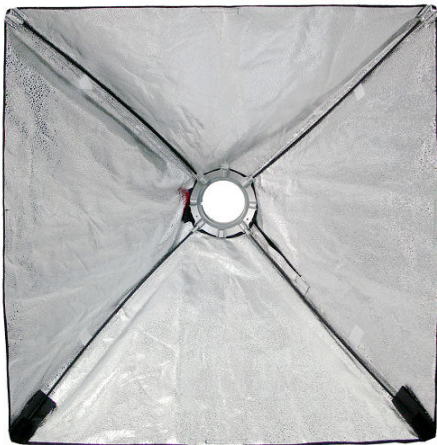
## INSERT RODS

Begin by inserting one of the rods into a speeding socket, align the softbox so that the rod runs along a folded edge and then insert the other end into the corner pocket. There are 2 reflective pockets and 2 Velcro pockets. Next insert the opposing rod in the same manner. Then complete all 4 rods as shown.

The Velcro corners require a tug on the Velcro corner of the softbox while gripping the rod in the Velcro pocket. Then press the two Velcro surfaces together.



When all 4 rods are installed the softbox form is square as shown on the left

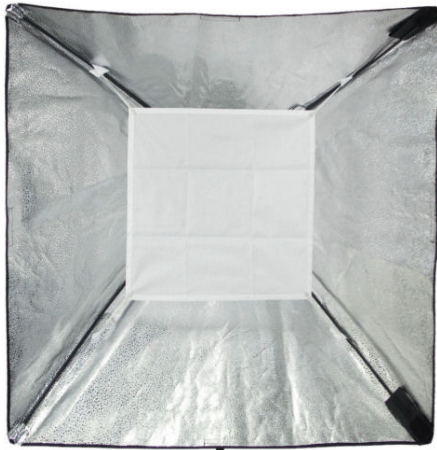


## DIFFUSERS

The softbox is supplied with 2 diffusers and can be used with either or both. Typically each diffuser will reduce the light output by 1 f-stop. Using just the inner or outer diffuser produce more intense and less diffuse light which may be desirable. For the softest light use both diffusers

## ATTACH INNER DIFFUSER

Installing the inner diffuser is a simple matter of attaching the 4 elastic Velcro tabs on the diffuser to the Velcro tabs inside the softbox.



# ALZO™ digital



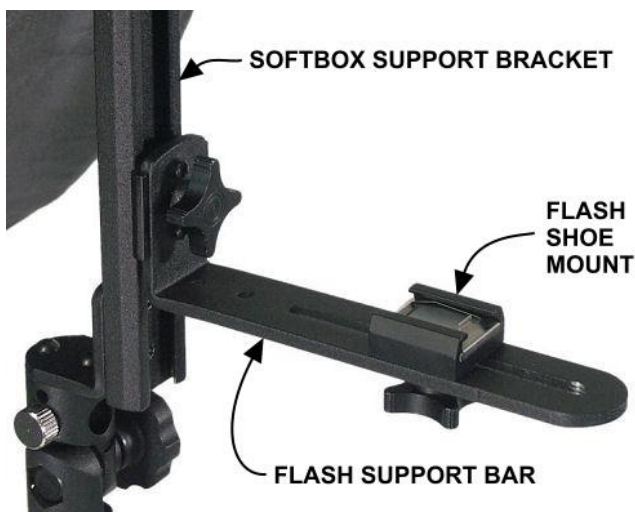
## ATTACH OUTER DIFFUSER

The outer diffuser is optional for you could successfully use the softbox with only the inner diffuser. Inclusion of the outer diffuser will produce the softest light. The outer diffuser fits over the corners of the softbox and there are 4 Velcro tabs along the sides.

## ATTACH FLASH MOUNT BRACKET

Invert the softbox so that the speedring faces up. Slide the end of the Softbox Support Bracket under the speedring tines and U-Clamp, and then insert that thumb screw with the washer through the U-Clamp and hand tighten.

**NOTE for rectangular softboxes.** The rotation of the softbox is limited to 120 degrees by the 3 screw heads on the speedring. Before attaching the Softbox Support Bracket assure that the rotation of the speedring will allow for the desired 90 degree rotation of the softbox.



Add the Flash Support Bar by sliding the foot into the channel of the Softbox Support Bracket, and lock down the wing screw. The Flash Support Bar can be installed in two orientations (up or down) this is because the Flash Shoe Mount on the Flash Support Bar is reversible.

The Flash Support Bar and Flash Shoe Mount are fully adjustable to allow for the attachment of a variety of flash units. For flashes that use a screw mount (METZ & others), remove the Flash Shoe Mount and use the remaining 1/4 x 20 screw.

# ALZO™ digital



## FLASH INSTALLATION

The image on the left shows a typical flash installation incorporating an ALZO Wireless Flash Trigger and an ALZO Hot Shoe Sync Cord connecting the flash to the wireless receiver PC connector.

Some flash units incorporate an infrared slave function that will trigger the flash when an on-camera flash unit fires. This typically requires clear "line of sight" between the flash and the camera. The large ALZO Porta-flash softbox can block this "line of sight" and cause failure to trigger. Therefore we recommend using an ALZO RADIO WIRELESS FLASH TRIGGER with the ALZO Porta-Flash Softbox.

The flash shoe mount is optional and when removed a 1/4" x 20 screw mount allows attaching larger flashes like those from METZ and others. (see below).



For ALZO Wireless Flash Triggers, Sync Extension Cords and other flash light accessories please visit our web site <http://alzodigital.com> or call customer support at 800-852-7009.